

Product Overview:

The OILCO 80 Series is a heavy duty, leak proof construction and low maintenance joint. Flow restrictions and product turbulence are held to a minimum. And for submerged applications, the 80 Series is excellent when utilized as a submerged service unit.

It is a ball bearing, single point seal design with a felt dust seal backup that allows for an endless number of applications. The 80 Series is available in carbon steel, stainless steel T-316, and aluminum. Sizes range from 1 1/2" to 6" in all materials. All styles are available in flanged, threaded, and butt-weld ends. Packing seal material is Buna-N (standard) but Viton, Teflon®, Nitrile, Kalrez®, Chemrez®, EPDM and EPR are available.

The 80 Series swivel joint is a leak proof, low maintenance design. It has widely spaced ball races allowing for better alignment and longer packing life. Flow restriction and internal turbulence are held to a minimum with a smooth bore design. The single point seal will operate under both a vacuum and a pressure environment. And the felt dust seal prevents all foreign matter from entering the swivel chamber.

There is also a vast range of optional lubrication media that allows the 80 Series to competitively operate in a multitude of environments. It can be packed and sealed for use as a submerged service unit. It can be cleaned and treated for use in oxygen transfer. And it can even be greased and prepared for use in the commercial food industry. This makes the OILCO 80 Series swivel joint an indispensable element in today's industrial arena.

Design Notes:

- (1) All surfaces are to be machine finished before final testing and assembly
- (2) Operational and testing pressures determined by ASTM pipe ratings
- (3) Swivel joint body and sleeve material are one-piece construction
- (4) Swivel joints are offered with Buna-N packing seals standard

Manufacturer Specifications:

Seal Packing: O-ring, single point main pressure seal
Teflon encapsulated available with modified sleeve option

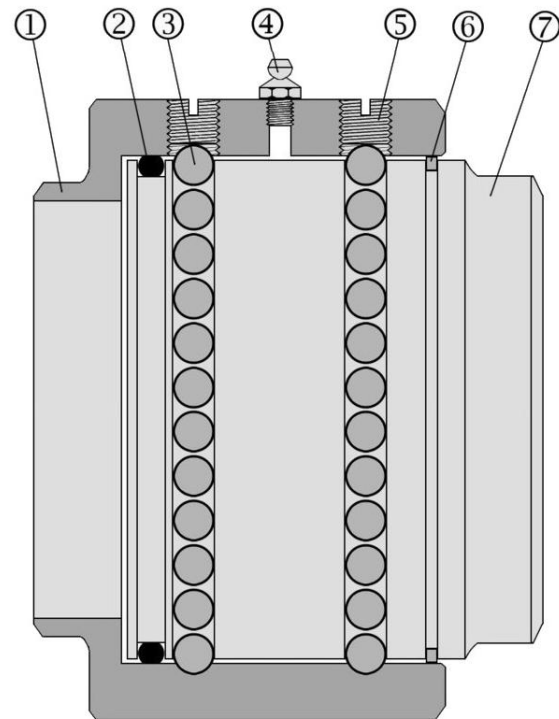
End Connection: Schedule 40 standard
37 1/2° bevel for weld

Material of Construction:

Carbon Steel, ASTM A-106 Grade B
Stainless Steel, T-316
Aluminum

Swivel Joint Component List:

- 1 Swivel Joint Outer Body Housing
- 2 O-Ring Main Pressure Seal
- 3 Radial Ball Bearings
- 4 Grease Fitting
- 5 Ball Retainer Screws
- 6 Environmental Dust Seal
- 7 Swivel Joint Inner Sleeve



Caution:

Weld end swivel joints should be completely disassembled prior to welding so as to not damage the seals. Care should be taken to avoid distortion of seal and ball race diameters.



Information:

Consult factory for all post-manufacturing recommendations, lubrication data and scheduling and all general maintenance and safety.



80 Series O-Ring Swivel Joints Product and Design General Overview

Date:
11-1-2012

Drawing #:
SK-5701