

Loading Assemblies



SAFE-T-LIFT[®]



596 Ridge Road • P.O. Box 226
Monmouth Junction, New Jersey 08852
Phone: 732-329-4666 • Fax: 732-329-9422
email: sales@oilco-usa.com • www.oilco-usa.com

An innovative new patent design, OILCO Liquid Handling Systems has developed the Safe-T-Lift® Traction Balance Assembly to reduce common safety hazards, decrease the working profile and allow for simple maintenance in the field.

OILCO Liquid Handling Systems is at the cutting edge of loader arm technology. OILCO has not only sought to improve top and bottom loading arm technology, but to do so in a consistent format. After picking the best technology and maximizing it, OILCO designed and engineered the most all-around loading arm balance.

The **Safe-T-Lift® Traction Balance**

SAFE - T - LIFT®

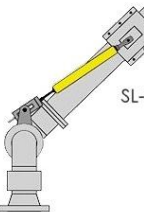


FAIL SAFE CONSTRUCTION

LIGHT

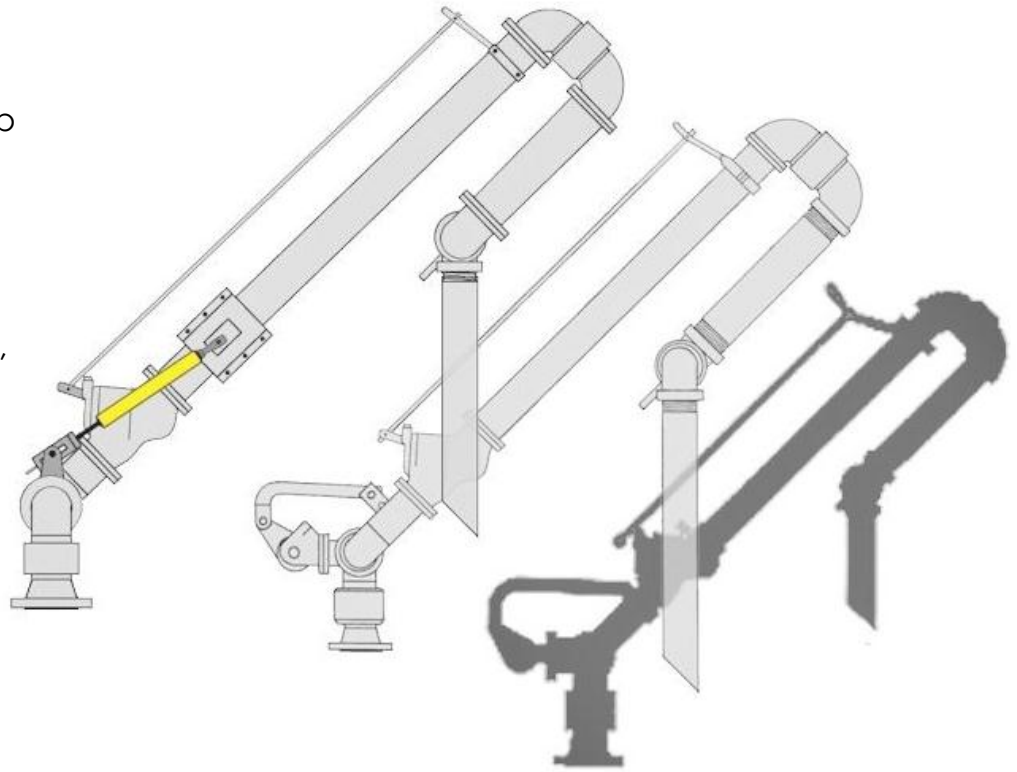
OILCO
LIG
G SYSTEMS

Based on standard configurations and an understanding of modern performance requirements, OILCO has adapted the traditional eight loading forms to address current construction specifications and safety considerations. The Safe-T-Lift® line of loading assemblies is the final evolution in historical industry production.



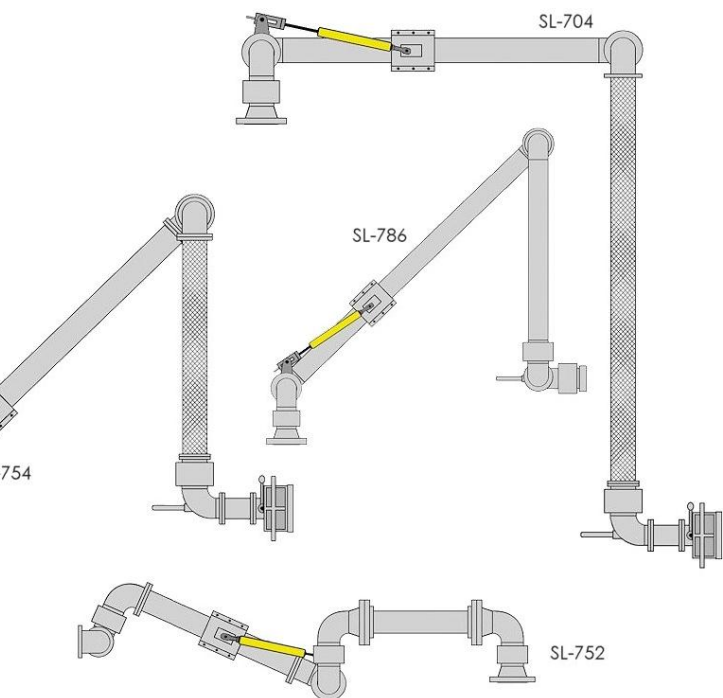
Systems has consistently been on the
 mechanics. Since the early 1970's,
 to manufacture the highest quality top
 utilizing the truest and most reliable
 the most compact and operationally
 pioneering the traditional torsion spring
 its application, OILCO has now
 the newest, most lightweight and safe,
 balancing unit available.

Balance Assembly

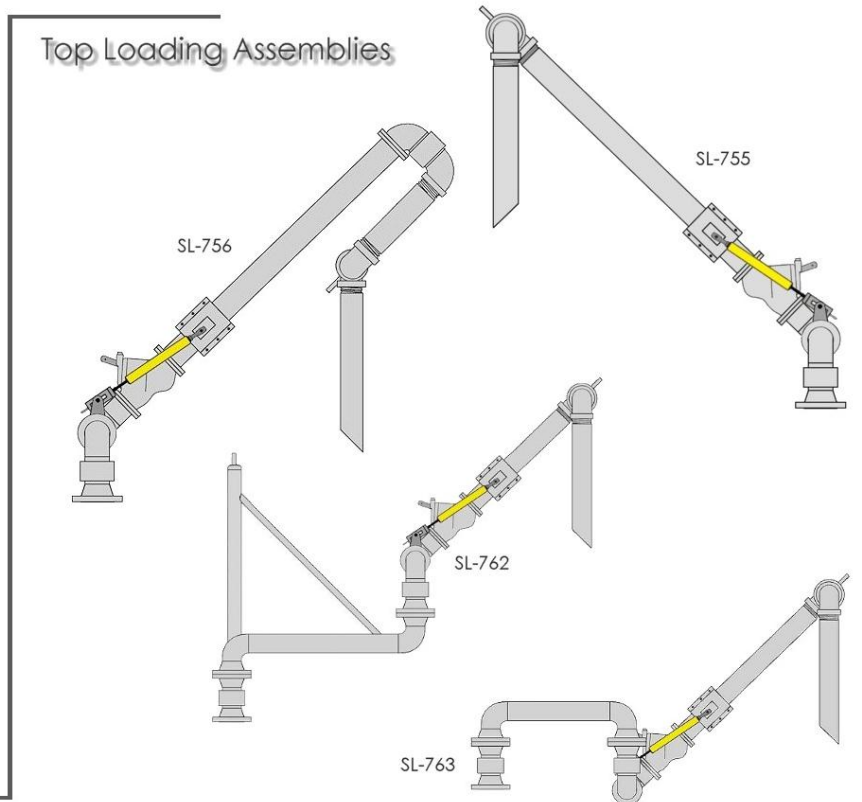


LIGHTWEIGHT COMPONENTS

SIMPLE ADJUSTMENT



Bottom Loading Assemblies



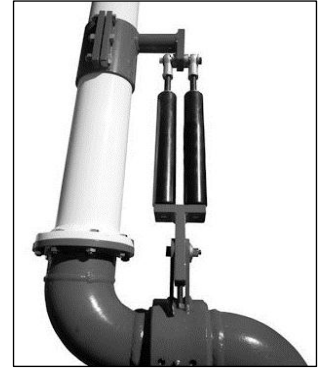
Top Loading Assemblies

The Safe-T-Lift® Traction Balance Assembly

A progressive design, decades in the making.

FORWARD IN-LINE DESIGN

- Minimal profile for complete platform accessibility
- Absent swing radius from secondary equipment
- Modular, upright component alignment
- Elimination of forward weight displacement

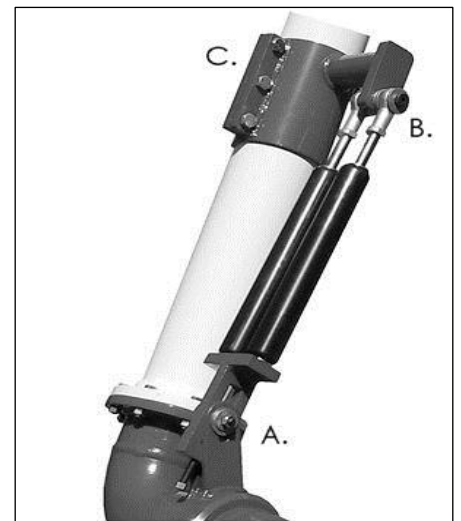


FAIL SAFE DESIGN

- Incorporated internal dampening system
- Controlled in/out balancing movement
- Limited emergency slow-fall potential

EASY MAINTENANCE & ADJUSTMENT

- No special tools are required for assembly or adjustment
- Dual point mounting, factory pressure set for use
- Fixed rear connection point (riser swivel joint)
- Fine adjustment screw on rear mount ("A")
- Single bolt attachment on extension arm ("B")
- Forward mounting bracket ("C") for new/retrofit design
- No post-assembly tension adjustment required
- Simple elevation control through fine tuning



DESIGNED FOR THE FUTURE - AVAILABLE TODAY
DESIGNED FOR THE FUTURE - AVAILABLE TODAY